

OMNIMETER II UL V.3

LOW-COST

DESCRIPTION

The Omnimeter II UL V.3 Watthour meter is used to measure energy at the input to electrical load centers or branch circuits. The unit displays Volts, Amps, Watts and power factor, in addition to import and export energy.

The unit is DIN-rail mounted and has optional indoor and outdoor enclosures. Solid-core or split-core current transformers are available.

FEATURES

- Single model for all 1 Φ and 3 Φ applications over range of 120-240Vac
- Indoor or outdoor package options
- Optional split-core current transformers



CONNECTION OPTIONS

SYSTEM CONFIGURATION	VOLTAGE INPUT (Vac)	MODEL
1-Phase 2-Wire*	120	Omnimeter II UL V.3
1-Phase 2-Wire*	240	
1-Phase 3-Wire*	120/240	
1-Phase 3-Wire Network*	120/208	
3-Phase 3-Wire*	208	
3-Phase 4-Wire*	120/208	

*1 Φ 2W system requires 1 CT, 1 Φ 3W or 3 Φ 3W system requires 2 CTs, 3 Φ 4W system requires 3 CTs. Solid and Split-Core CTs are available separately. See BCT and SCT specs on page 3.

APPLICATIONS

- Input to electrical load centers
- Branch circuits

10 YEAR WARRANTY



UL File E343191
California Type Approval 5645(a)-13
ANSI C12 Certified

SPECIFICATIONS

INPUT

Current Range
With appropriate CTs (I_n)... 0-200, 0-400, 0-600, 0-800Aac
Over-range without damage..... 125% F.S.
Voltage..... Nominal..... 120, 208, 240V_{L-L}
Operating Range..... Nominal \pm 30%
Power Factor..... any
Frequency Range 47-63Hz
Power Consumption..... <1VA

OUTPUT

Pulse Value.....1.0kWh/Pulse, polarity sensitive
(NOTE: Unit is factory-programmed for CT ratio.)
Contact Closure (Low-impedance).....low<3 Ω , high>1M Ω
Duration... 50% duty cycle or 80ms, whichever is greater
Serial..... RS-485, 9600 baud (E,7,1)

DIELECTRIC TEST

Input/Output/Case..... 2250Vac

ACCURACY

IEC 62052-110.05(I_n)..... Class 0.5
Certified to meet ANSI C12- i -2008 ANSI C12-20-2010

DISPLAYED VALUES

Resolution

Energy (Import and Export).....(kWh)...XXXXXX.X
Volts (Per-Phase).....(Vac).....XXX.X
Amps (Per-Phase)(Aac).....XXX.X
Power (Per-Phase and Total).....(W)XXXXXX
Power Factor (Per-Phase w/Direction) ... (C or L).....X.XX

TIME OF USE (Parameters Available via RS-485 Port)

Real-Time Clock Calendar with Battery Back-up
4 Tariff Periods (T_1, T_2, T_3, T_4) Per Day. (Active Taiff Period is shown on display below decimal point in kWh reading.)
Max. Demand for 15-, 30-, or 60-Minute Intervals.
Resettable Demand via RS-485 Port

PHYSICAL & ENVIRONMENTAL

Operating Range..... 0 $^\circ$ to 40 $^\circ$ C
Storage Range.....-30 $^\circ$ to 55 $^\circ$ C
Operating Humidity 0-85% non-condensing
Weight..... 10.0 oz
Termination (Screw Compression).....20-16 AWG
Enclosure Material ABS



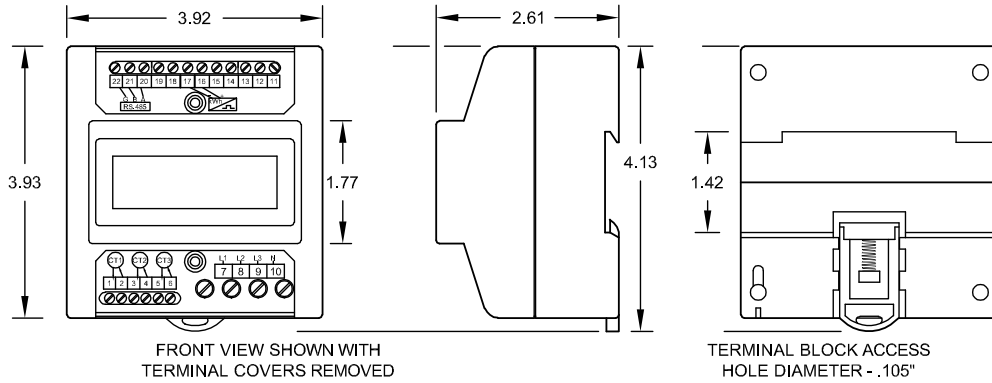
4242 REYNOLDS DRIVE * HILLIARD, OHIO * 43026-1264
PHONE: (614) 777-1005 * FAX: (614) 777-4511
800-853-2537 WWW.OSCSUBMETERING.COM

DISPLAY REGISTERS

01	02	03	04	05	06	07	08	09	10	11	12	13	14	15
Total kWh	Reverse kWh	Volts L1	Volts L2	Volts L3	Amps L1	Amps L2	Amps L3	Watts L1	Watts L2	Watts L3	Total Watts	PF L1	PF L2	PF L3

Display scrolls through each register every 5 seconds.

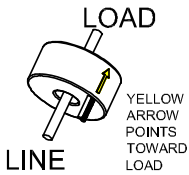
CASE DIMENSIONS



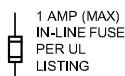
Dwq# 0902-00949-B Rev A (MOD)

CONNECTION DIAGRAMS

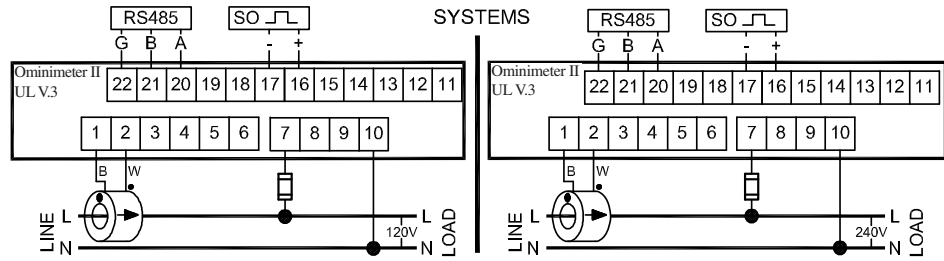
ORIENTATION OF CT ON WIRE (FOR ALL CONFIGURATIONS)



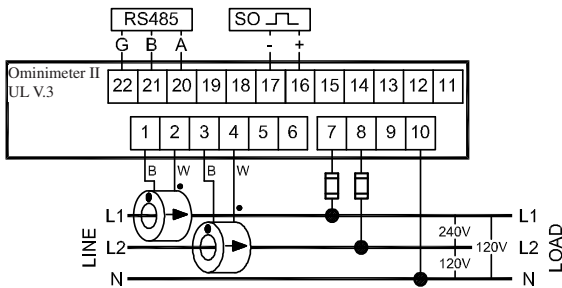
FUSE SIZE



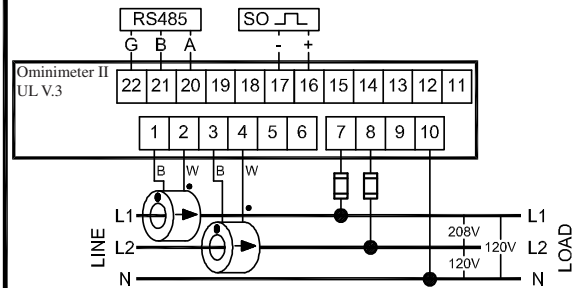
1-PHASE 2-WIRE SYSTEMS



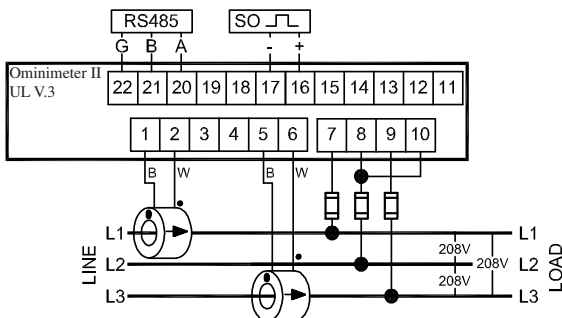
1-PHASE 3-WIRE SYSTEMS



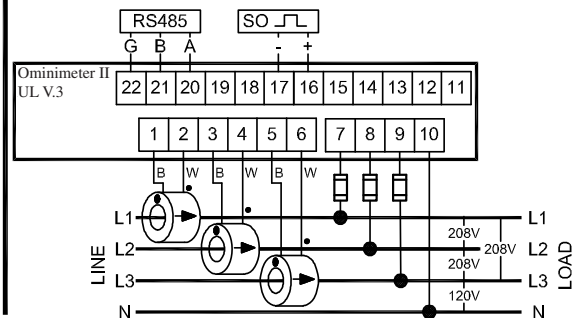
1-PHASE 3-WIRE NETWORK SYSTEMS



3-PHASE 3-WIRE SYSTEMS



3-PHASE 4-WIRE SYSTEMS



CT OPTIONS (BCT & SCT MODELS)

Omnimeter II UL V.3

FEATURES

- 0.5% Accuracy
- Split-core SCT models
- Solid-core BCT models
- AC Output 26.6mA



APPLICATIONS

- For use with Omnimeter II UL V.3
- Other metering applications

MODEL SELECTION

INPUT AC AMPS	Solid-Core: MODEL BCT-
	0-26.6mAac OUTPUT
0 - 200	013-200
0 - 200	015-200
0 - 200	025-200
0 - 400	025-400
0 - 600	045-600

INPUT AC AMPS	Split-Core: MODEL SCT-
	0-26.6mAac OUTPUT
0 - 200	013-200
0 - 400	032-400

Intended for use over insulated conductors only!

Optional inputs and outputs are available for BCT & SCT. Consult factory.

SPECIFICATIONS

INPUT

Current See Model Selection Table
 Over-current 1.2X F.S.
 Frequency Range 50-60Hz

ACCURACY ±0.5% F.S.

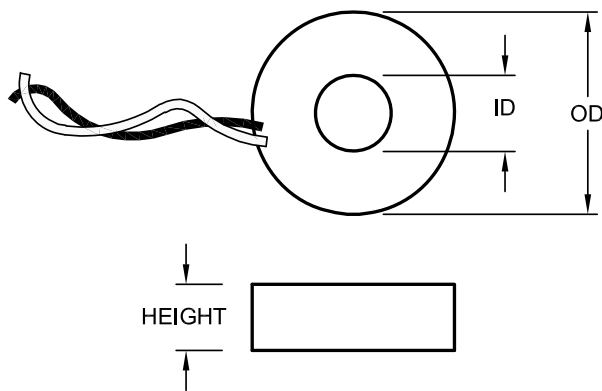
PHYSICAL & ENVIRONMENTAL

Weight See Dimension Table
 Lead Length 72"
 Lead Type 22AWG stranded, White (X1) & Black
 Operating Temperature 55°C Max.

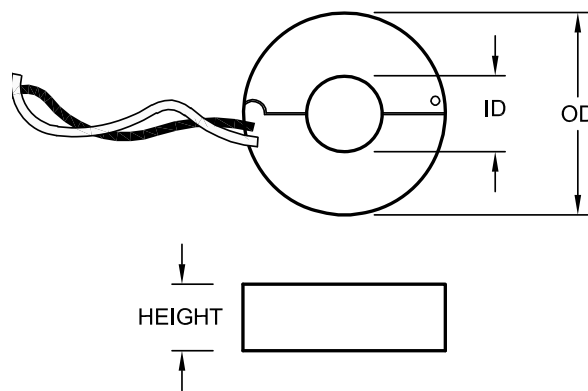
OUTPUT

Scaling 0-F.S. Input = 0-26.6mAac Output
 Burden 1VA

SENSOR DIMENSIONS



MODEL BCT-	DIMENSIONS (inches)			WT. (lbs.)
	Height	ID	OD	
013-200	0.8	0.51	1.73	0.2
015-200	0.8	0.59	2.43	0.3
025-200	0.79	0.98	2.13	0.3
025-400	0.79	0.98	2.13	0.3
045-600	0.95	1.77	3.50	0.6



MODEL SCT-	DIMENSIONS (inches)			WT. (lbs.)
	Height	ID	OD	
013-200	0.8	0.53	1.73	0.2
032-400	0.8	1.26	3.11	0.5

Dwg# 0902-00851-B Rev A